

T-LOCTM Tubing Management

- Organize single-use tubing flow paths to new and existing equipment.
- Streamline your process set up to be fast and repeatable.
- Maximize safety and integrity of your process with T-LOC.

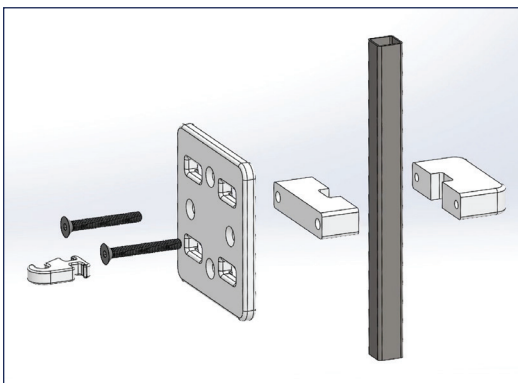
When it comes to process design for pharmaceutical and biomanufacturing, a key feature often overlooked is tubing management. However, effective tubing management can significantly impact the results of a production process. This is especially true where operators frequently grapple with cramped workspaces made more challenging by single-use tubing assemblies that lack rigidity or support. In addition, components like flow-meters or filters may require optimal orientation and support within the assembly. As single-use equipment becomes more prevalent, addressing these issues is increasingly vital.

T-LOC offers a flexible solution for these challenges, ensuring optimal tubing management and enhancing overall process efficiency and safety.



Features & Benefits

- Fits virtually any tubing size
- Simple 3-piece design
- cGMP wash-down compatible
- Enhanced tubing protection
- Maximize your valuable space
- Ideal for 5S optimization
- One tool fits all sizes



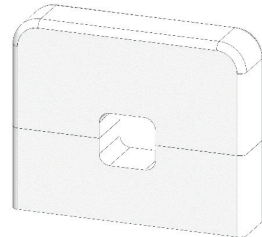
Flexible Mount Options:

- Round or square pipe/tube
- Totes
- Deployment & pump carts
- Filter hangers
- Filter carts
- Benchtops
- Hose racks
- Much more

Build Your Custom T-LOC Assembly

Specify Your Part Number

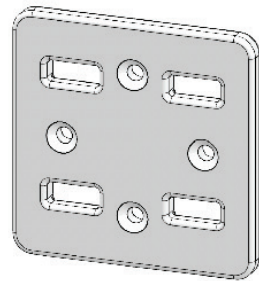
T-BLOC



Component 1 Select a Mount

T-BLOC mounting brackets are expertly crafted for seamless installation on standard GMP structures, including square and round tubing/pipe, walls, floors, benchtops, and more, without causing damage to existing polished surfaces. With the flexibility to mount T-Bloc brackets either vertically or horizontally, you can enjoy maximum versatility and adapt them to your workspace structures.

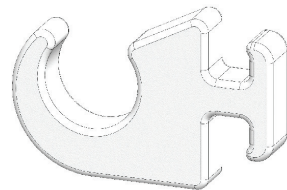
T-PAN



Component 2 Select a Panel

T-PAN is a highly adaptable panel featuring configurable receptacles designed to accommodate single and multiple tubing/hose runs in horizontal, vertical, or diagonal configurations. Its robust structure allows seamless integration into various designs, including Totes, Deployment/Pump Carts, Filter Hangers, Filter Carts, Hose Racks, and more, ensuring versatile support for your unique requirements.

T-CLIP

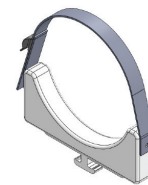


Component 3 Select a Clip

T-CLIP hangers are designed to accommodate any Tubing or Hose O.D., whether metric or imperial. With a 90-degree twist, they offer easy interchangeability, allowing operators to switch tubing sizes within minutes and adapt to flexible manufacturing environments.

Our proprietary clip system can also be used to hang filters!

Filter Size	Part Number
1.5" - 2.5"	T-CLIP-F-1.5-2.5
2.5" - 4.5"	T-CLIP-F-2.5-4.5
4.5" - 6"	T-CLIP-F-4.5-6



Prefix	Hanger Style		Mounting Structure		Inside Diameter of Bracket	
T-BLOC	Standard Bolts	TB	Round Tube	RT	1/2"	1/2
	Thumb Screw	TS	Square Tube	ST	3/4"	3/4
	Drawing	XX	Magnet	M	1"	1
				1.5"	1-1/2	
				2"	2	
				2.5"	2-1/2	
				3"	3	

Example T-BLOC Part Number:
T-BLOC with "Standard Bolts," to mount on a 3/4" diameter round tube: **T-BLOC-TB-RT-3/4**

Prefix	Bolt Direction	Bolt Hole Location		Tubing Orientation	Matrix Height	Matrix Width				
					Units*	Units*				
T-PAN	Panel to Block	PB	Cross	C	Horizontal	H	1	1	1	1
	Block to Panel	BP	Custom	X	Vertical	V	2	2	2	2
					Horizontal/Vertical	X	3	3	3	3
					Staggered Horizontal	M	4	4	4	4
					Staggered Vertical	Z	5	5	5	5
							6	6	6	6
							7	7	7	7
							8	8	8	8

Example T-PAN Part Number:
T-PAN with a "Block to Panel" bolt direction, "Cross" bolt-hole location, "Vertical" tubing orientation, "4" receptacle height and "3" receptacle width: **T-PAN-BP-C-V-4-3**

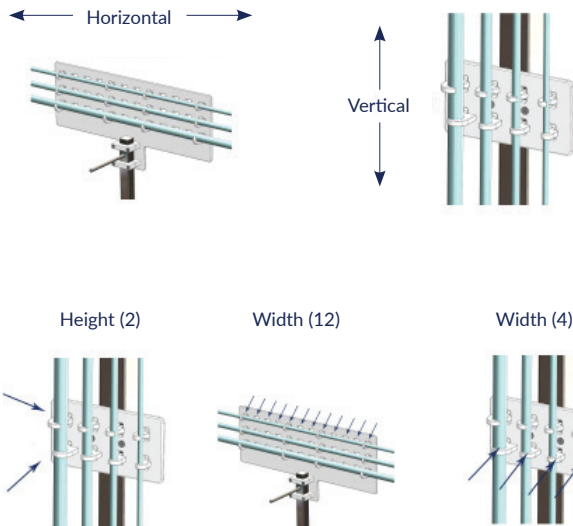
*Larger standard sizes also available

Prefix	Clip Style		Tubing Outside Diameter	
			Inch Size**	
T-CLIP	270 Captive	C	1/8"	1/8
	U Clip	U	3/16"	3/16
	180 Open J Clip	J	1/2"	1/2
	180 S Clip	S	5/8"	5/8
	L Clip	L	3/4"	3/4
			1"	1
			1-1/8"	1-1/8

**Virtually unlimited sizes, including mm sizes, are available. Contact us for more information.

Example T-CLIP Part Number:
T-CLIP for 1-1/8" OD tubing with a "270 Captive" clip style: **T-CLIP-C-1-1/8**

***Engineering drawings available for all parts. Contact us for more information.



Limitless Sizes & Customization

With highly scalable designs and manufacturing methods, we are able to produce virtually any size with vertically or horizontally mounted plates to fit your unique requirements and spatial constraints.

Many Mounting Options

Organize even the most intricate process layouts with our versatile T-LOC mounting options! From benches, walls, floors, round pipes, to square pipes, and beyond, our standard mounting solutions have you covered. For unique requirements, we offer custom welded alternatives to ensure the perfect fit.

