



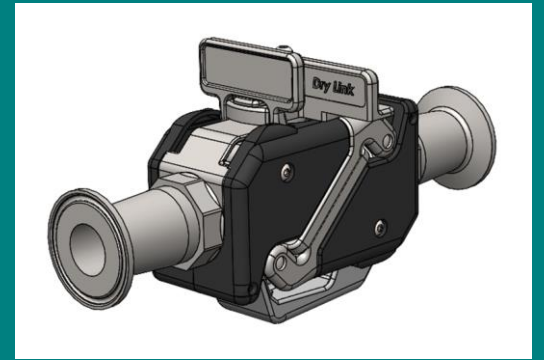
Distributed By: Acuity Process Solutions  
 Web: acuityprocess.com | Phone: 508.809.5099



a product of:



# Dry Disconnects for the Pharma Industry

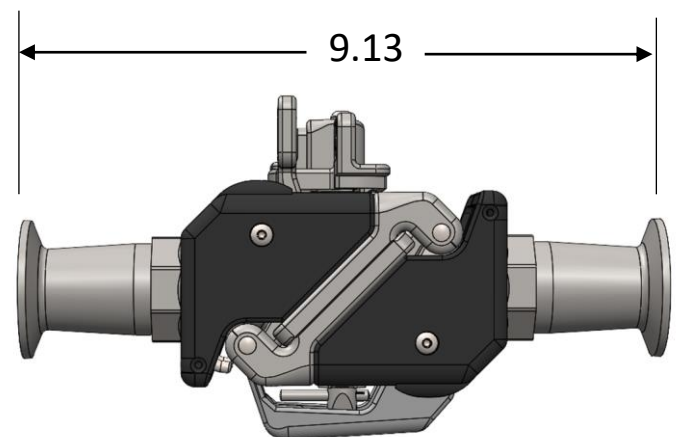


## Features:

- Serialized part number on each disconnect for traceability.
- Laser welded joints polished smooth.
- Wetted surfaces polished to 20 Ra surface finish.
- Wetted surfaces electropolished.
- Material certifications for metal components.
- Certificate of Conformance with each shipment.
- 316 Stainless Steel wetted components (Hastelloy available).
- PTFE and FFKM seals, (other options available).
- USP Class VI o-rings and seals with certifications.
- All Dry Link products are free from TSE and BSE.

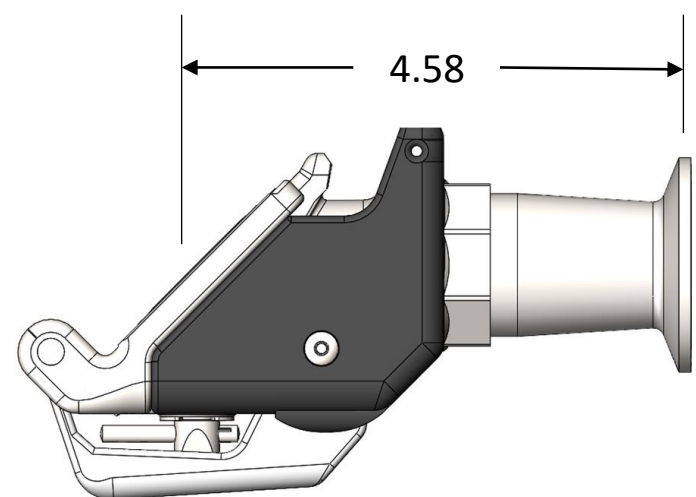
## Operation Specifications:

- Maximum pressure: 210 PSI
- Temperature Range: 20°F to 230°F



## Adapters

Part Number	Connecton Size	Connecton Type
DLA05T-1TEP-USP	1/2"	Tri Clamp
DLA75T-1TEP-USP	3/4"	Tri Clamp
DLA10T-1TEP-USP	1"	Tri Clamp



## Couplers

Part Number	Connecton Size	Connecton Type
DLC05T-1TEP-USP	1/2"	Tri Clamp
DLC75T-1TEP-USP	3/4"	Tri Clamp
DLC10T-1TEP-USP	1"	Tri Clamp

